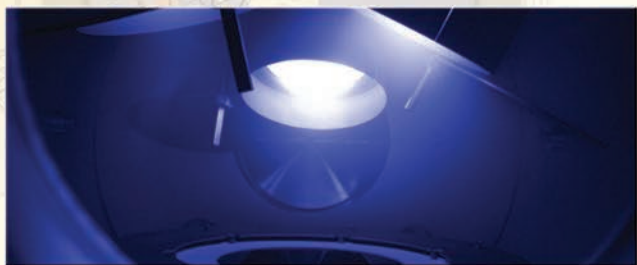
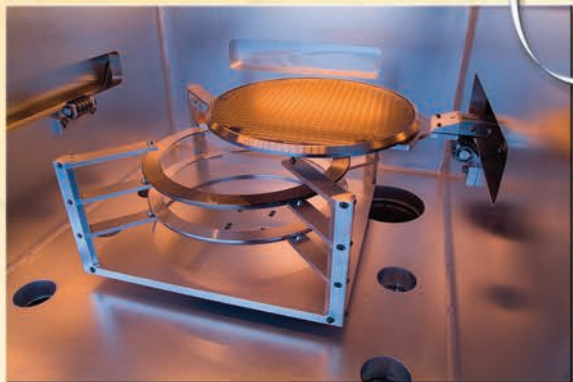


The Global Source
SEMICORE 



**Complete Solutions
for Standard and Custom
Vacuum Deposition**

The Global Source

SEMICORE

SEMICORE Equipment, Inc. is a worldwide thin film technology leader providing standard and custom vacuum coating systems for the electronics, optical, solar energy, medical, automotive, military and other high tech disciplines. Our high performance design, engineering and manufacturing skills produce coatings capability on plastic films, glass, ceramics, metals and hybrid substrates; R & D or Production vacuum sputtering and evaporation systems included.

See our web site www.semicore.com for greater detail of our complete range of products and services.

STANDARD PRODUCT EXAMPLES



Batch/In-Line Sputtering – SC900/600 - Load locked- Multi cathode/power source- Sputter etch - Pre-heat & in- line heat - Horizontal or vertical cathodes

In-Line Sputtering – SC1500 - Scalable (multi-chambers)- Pre-heat (cure) & in-line heat- Sputter etch - Multiple magnetron cathodes - High throughput and target utilization- Pallet scanning or continuous tracking- Up to 20 pallets

Box Coater Batch Evaporation – SC3000/4000 - Large chamber format- Flexible chamber design- Accommodates many process features

Batch Sputtering/Evaporation – Tri-Axis - Low cost- Three axes of sputtering - Optional load lock - Accommodates substrates up to 200 mm - Multiple cathode capability

Batch Sputtering/Evaporation – Impel PVD - Cluster tool with up to 3 process chambers- Central load lock - Various shapes and sizes of substrates up to 200 mm

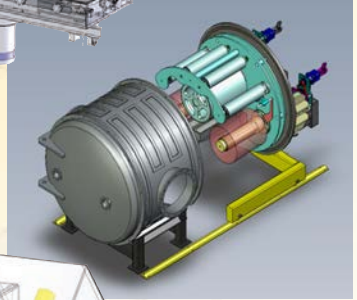
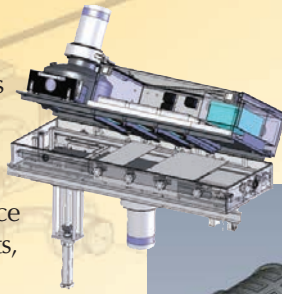
“Bench-Top” Sputtering Systems – SC250 & SC450 - Small Volume, Fast Cycle Processing - Fully Automatic, Integrated Controls - Single Source or Co-Deposition modes - Multiple Process Gas Capability - Confocal Cathode Formatting - 2”, 3”, & 4” Magnetron Cathodes - Integral Cathode Shutter - DC, RF & AC



CUSTOM ENGINEERING

Because off-the-shelf and standard systems may be too limiting or inflexible, your fresh ideas and out-of-the-box thinking are most welcome at Semicore. At all times we stand ready to design and produce turn-key solutions to suit your requirements, economically.

Do you have an existing installation or perhaps are thinking "new?" We'll be pleased to offer, at no charge, a valuable design/engineering service. First, our engineering team will evaluate your proposed plans. We may then suggest an appropriate, cost-effective approach. Or, we may offer some design and component alternatives to increase efficiency, enhance service life and extend throughput - all of which to your advantage.



AUTOMATION CONTROL

An advanced Human Machine Interface (HMI) control package designed for versatility, user-friendliness and maintenance ease, is now a reality from Semicore. This flexible control system can be customized for any process tool application and is currently used for production in semiconductors, photonics, nanotechnology and related disciplines. This control package actively reduces errors, shortens learning curves and increases repeatability production and throughput.



HMI is now available as a stand-alone product. Its ISC Controller has 3 models to manage everything from basic vacuum valve sequencing to fully automatic "one-button" recipe operation.

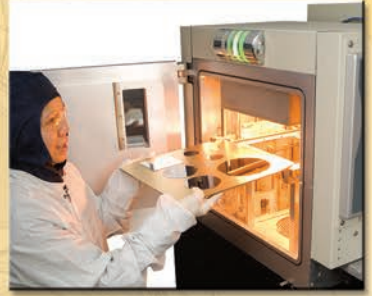
The Global Source

SEMICORE



FIELD SERVICE & TECHNICAL SUPPORT

World-class technical support is yours with Semicore products - support which may be necessarily on-site, or through remote, but secure, "virtual presence". Semicore's service department is not limited to using in-house manufacturing parts. Rather, the choice is always the best, quality part. As such, our service staff focuses on returning your system "on-line", quickly, efficiently, and reliably operational. Self Service Desk, Support Center & Ticket Tracking Service via customer assigned portals.



NEW OEM EXCHANGE – UPGRADE PROGRAM

Semicore makes a good thing even better!

Independent thinking, advanced technological "know-how" and the ability to improve performance, reliability and functionality of many standard industry platforms have built the Semicore reputation.

Now, we can offer a new exchange-upgrade program which can solve operational problems while providing updated processing results.

All our tested and proven as with our inherent thin film systems and the improvements are at least incremental. Though some can be termed "quite revolutionary.

Our designs, our upgrades, have aptly been termed as the "next generation" of systems that transcend simple reverse engineering. Not only is the goal to deliver operational excellence, but, it is also to provide a next generation of functionality while maintaining current price points.

Please visit www.semicore.com for other upgrade descriptions.



470 Commerce Way, Livermore, CA 94551

Tel: (925) 373-8201 • Fax: (925) 373-8202

www.semicore.com • email: sales@semicore.com